

12AD565E790 (2005)
Deck

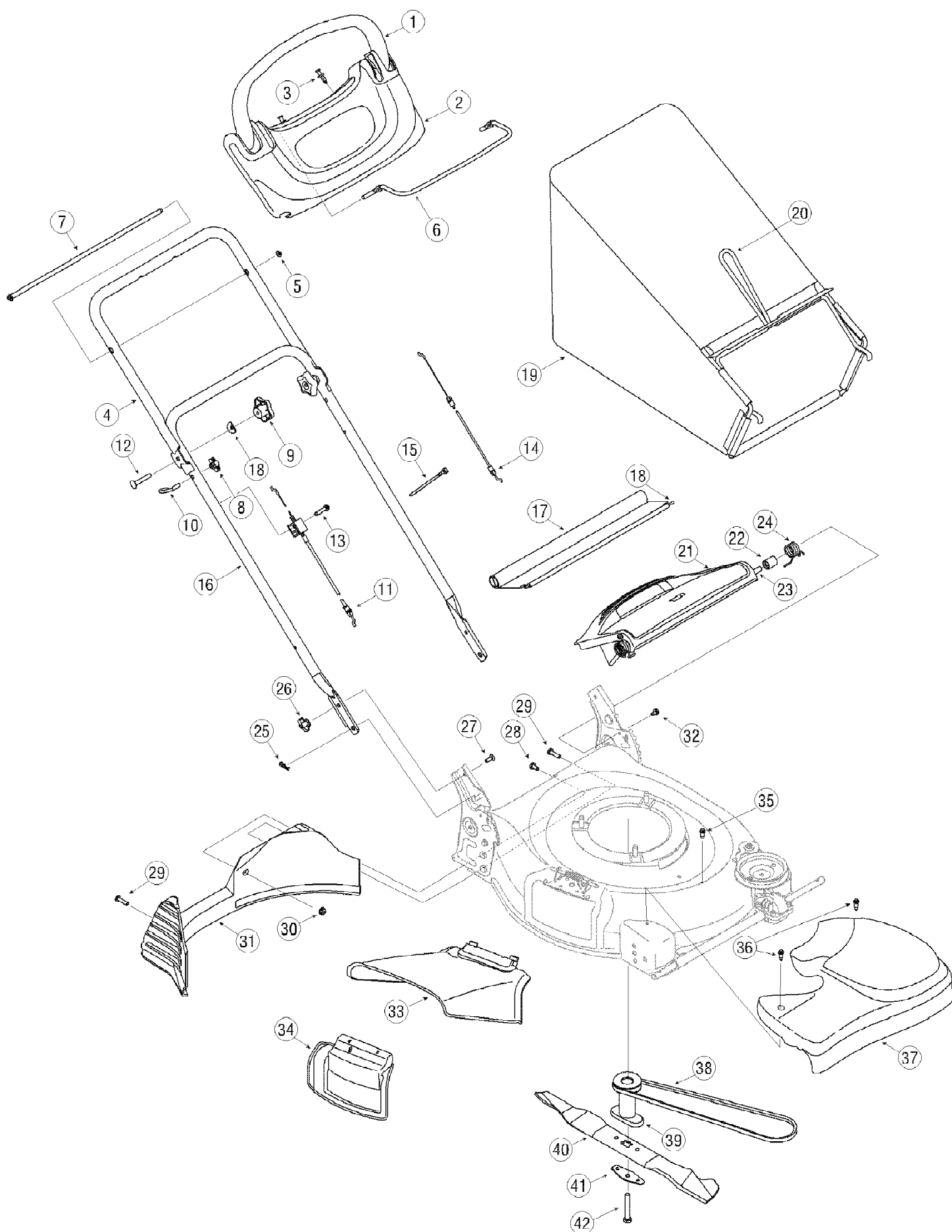
Page 2 of 5

Ref #	Part Number	Qty	S/P/F	Description
1	710-0599	1	/P	TT Screw 1/4-20 x 0.5
2	736-0270	1	/P	Bell Washer.265 x 0.75
3	17032A	1	/P	Deflector Chute Adapter
4	732-1014	1		Torsion Spring
5	747-0710	1	S	Hinge Pin
6	710-0654A	1	/P	Self-Tapping Sems Screw
7	787-01222	1	S	21" Deck
8	710-0216	1	/P	Hex Screw 3/8-16 x.75
9	712-0431	1	S	Hex Nut 3/8-16
10	782-5002B	1	/P	Front Baffle
11	750-1165	1	S	Sleeve Spacer 10.1" Lg.
12	750-1166	1		Slev. Spacer 2.1" Lg.
13	734-2042	1	S	Wheel 8 x 2.125 Black Zag Gear
14	716-0865	1	/P	Snap Ring
15	717-1762	1		Gear 14T RH FWD
	717-1761	1		Gear 14T LH FWD Not Pictured in Illustration
16	782-7551A	1	/P	Wheel Dust Cap
17	716-0102	1	S	Snap Ring
18	736-0474	1		Washer
19	687-02018	1	S	Lever Assembly RH
20	687-02044	1	S	Pivot Plate Assembly
21	782-0512B	1	S	Height Adjuster Plate - RH
	782-0511A	1	S	Height Adjuster Plate - LH Not Pictured in Illustration
22	736-0447	1	S	Wave Washer
23	748-0355	1		Bearing Support
24	741-0604A	1	/P	Bearing Sleeve
25	732-0708	1		Bearing Retainer
26	687-02057	1	S	Handle Bracket Assembly - LH
	687-02056	1	S	Handle Bracket Assembly - RH Not Pictured in Illustration
27	687-02033	1	S	Handle Bracket - RH
	687-02031	1	S	Handle Bracket - LH Not Pictured in Illustration
28	687-02039	1	S	Pivot Bar RH
	687-02040	1	S	Pivot Bar LH Not Pictured in Illustration
29	732-0866	1		Height Adjustment Lever
30	720-0312	1		Foam Grip
31	738-0507B	1	S	Shoulder Scr.500 Dia. x.434
32	710-1652	1	/P	Tt Screw 1/4-20 x.625"
33	734-04093	1		Wheel, 12 x 2.125 Zag Gray IDL
34	715-0221	1	S	Dowel Pin
35	712-0896	1		Lock Nut
36	782-7598	1		Belt Keeper
37	741-0124	1	S	Ball Bearing
38	750-1050	1		Flange Bearing
39	712-3025	1		Hex Jam Nut 5/16-24
40	736-0425	1	S	Bell Washer.325 x.930 x.45
41	656-0047	1	/P	Pulley, 3.82 x.313 x.68
42	736-0406	1	S	Flat Washer.422 x 1.38 x.060
43	682-0029	1		Front Idler Assembly

12AD565E790 (2005)
Deck

Page 3 of 5

Ref #	Part Number	Qty	S/P/F	Description
44	732-04001	1		Extension Spring
45	741-0682A	1	/P	Bearing Sleeve
46	736-0570	1	S	FI-Wash.865 x 1.145 x.030
47	710-0299	1		Hex Screw 1/4-28 x 1.0
48	741-0699	1		Needle Bearing.438 x.625 x.500
49	736-0520	1	S	Flat Washer.504 x.700 x.030
50	717-1492	1		Pinion Shaft
51	618-0300A	1	/P	Upper Housing
52	618-0299A	1	/P	Lower Housing
53	710-1276	1	/P	Hex Screw w/Washer 1/4-20 x.750
54	736-0314	1	S	Thrust Washer.375 x.070 x.030
55	736-0569	1	S	Thrust Washer.388 x.625 x.062
56	741-0673	1	S	Flange Bearing
57	611-0105A	1	/P	Output Shaft
58	682-0030	1		Idler Cable Bracket Assembly
59	721-0329	1	S	Oil Seal
60	721-0457	1		Oil Seal
61	682-0511A	1	S	Height Adjustment Assembly LH
	682-0512A	1	S	Height Adjustment Assembly RH Not Pictured in Illustration
62	618-04006	1	S	Transmission Assembly Comp. Not Pictured in Illustration
63	731-0981A	1	S	Radial Spoke Hubcap
64	720-0426	1	/P	Adjustment Knob
65	732-0706	1		Front Lever RH
	732-0707	1		Front Lever LH Not Pictured in Illustration



12AD565E790 (2005)
General Assembly

Page 5 of 5

Ref #	Part Number	Qty	S/P/F	Description
1	631-04147	1	S	Handle Assembly Comp.: Red
2	731-2628A	1		Handle Panel
3	728-0199	1		Plastic Rivet
4	749-1507	1	S	Upper Handle
5	726-0106	1	S	Speed Cap 1/4" Rod
6	747-2133A	1	S	Bail: Smart Speed (TM)
7	747-2132A	1	/P	Control Rod
8	720-0279	1	/P	Handle Knob
9	720-0284	1	S	Handle Knob
10	710-1205	1	/P	Eye Bolt
11	746-1250	1	S	Fwd Drive Cable: Smart Speed (TM)
12	710-0487	1	/P	Carriage Bolt 5/16-18 x 2.0
13	710-0809	1		TT Screw 1/4-20
14	746-04039	1	S	Control Cable: Smart Speed (TM)
15	726-0240	1	S	Cable Tie
16	749-0907B	1	/P	Lower Handle
17	731-04998	1	/P	Rear Trailing Shield
18	732-0700	1	/P	Wire
19	664-04034	1	S	Grassbag Assembly
20	747-04080	1	S	Grass Bag Frame
21	731-04134A	1	S	Rear Discharge Door
22	750-04162	1	S	Spacer .375 x .50 x 1.02
23	747-0996	1		Pivot Rod
24	732-04090A	1		Torsion Spring LH
	732-04089A	1		Torsion Spring RH
25	714-0104	1	S	Cotter Pin
26	712-0397	1	S	Wing Nut
27	710-0703	1	/P	Carriage Bolt 1/4-20
28	738-1002	1		Shoulder Screw 1/4-20
29	710-04371	1		Screw 1/4-15
30	712-04064	1	/P	Flange Lock Nut 1/4-20
31	731-04150	1	S	Rear Baffle 21" Rd.
32	710-0599	1	/P	TT Screw 1/4-20 x 0.5
33	731-04177	1	/P	Chute Deflector
34	687-02055	1	S	Mulch Plug Comp.
35	738-1002	1		Shoulder Screw 1/4-14
36	710-1650	1	/P	Shoulder Screw # 12 -24
37	731-05065	1	S	Transmission Cover
38	754-0465	1	S	V-Belt
39	748-04015A	1	S	Blade Adapter w/ Pulley
40	742-0741	1	S	21" Mulching Blade
41	736-0524B	1	/P	Blade Bell Support
42	710-1257	1	/P	Hex Screw 3/8-24 x 2.50